



THE BOSS TO GO™ PLUS

Instructions for use
SMOOTHIE BLENDER



SMOOTHIE BLENDER

CONTENT

- 5 Catler recommends safety first
- 10 Know your Smoothie blender PB 4050
- 12 Operating your Smoothie blender PB 4050
- 13 Hints and tips
- 14 Care and cleaning
- 15 Trouble-shooting guide



Congratulation

on the purchase of your new Smoothie blender Catler PB 4050.

CATLER RECOMMENDS SAFETY FIRST

We at Catler are very safety conscious. We design and manufacture consumer products with the safety of you, our valued customer, foremost in mind. In addition, we ask that you exercise a degree of care when using any electrical appliance and adhere to the following precautions:

IMPORTANT SAFEGUARDS FOR YOUR SMOOTHIE BLENDER PB 4050:

READ ALL INSTRUCTIONS BEFORE USE AND SAVE FOR FUTURE REFERENCE.

- Remove any packaging material and promotional stickers before using the device for the first time.
- To eliminate a choking hazard for young children, remove and safely discard the protective cover fitted to the power plug of this appliance.
- Do not place the blender near the edge of a bench or table during operation. Ensure that the surface is level, clean and free of water, flour, etc. Vibration during operation may cause the appliance to move.
- Do not place the blender on or near a hot gas or electric burner, or where it could touch a heated oven.
- Always ensure the blender is properly assembled before use. Lid must be firmly secured to the jug before operation to ensure internal contents do not escape, spray or overflow.
- Use only the accessories supplied with the blender. The use of accessories, not manufactured or specified by manufacturer, may cause the risk of fire, electrical shock or injury.
- Wash all cups, lids and blade assembly in warm soapy water.
- Do not leave the blender unattended when in use.
- Make sure the appliance is switched off and unplugged from the power outlet, motor and blades have completely stopped before attempting to move the appliance, or when the blender is not in use and before disassembling, cleaning and storing.
- Do not operate the appliance continuously with heavy loads

for more than 10 seconds. Allow the motor to rest for 1 minute between each use. A heavy load is defined as per the appliance safety standard specified load (500ml cup filled to the maximum indicated level with a mixture comprising two parts by mass of soaked diced carrots and 3 parts water). Any load equivalent to this or heavier should not be operated for more than 10 seconds at a time. Note that none of the recipes supplied with this product are considered heavier than this load.

- Do not fill the cup past the MAX level marking as this will cause the motor to strain under heavy load and may cause potential leakage. It will also reduce blending performance. Note that some mixtures increase in volume when blending.
- Do not put any parts or accessories in a microwave oven.
- Do not blend carbonated liquids, as they will expand.
- If food becomes lodged around the blending blade, turn the blender off. Then unplug the cord. Make sure the motor

and blades have completely stopped before removing the cup from the motor base. Use a spatula to dislodge or stir the food before continuing. Do not use fingers as the blades are sharp.

- Keep hands, fingers, hair, clothing away from the blender during operation. Always turn off the blender and unplug it before touching the motor coupling or surrounding area.
- Be careful when handling the jug as the blades are very sharp. Be careful when emptying the blender jug and during cleaning. Mishandling of the blades may cause injury.
- Avoid putting the cup on the motor base while the motor is still spinning.
- The extractor is intended for food or drinks preparation. Do not use for anything other than food or drinks. Do not operate without any ingredients in the cup.
- Never blend hot or warm ingredients in this blender. Let liquid to cool down before pouring into the cup.
- Do not put the cup in extremes of heat or cold, for example

placing a cold cup into hot water, or vice versa.

- Before moving the extractor, cleaning or putting it away for storage, always turn the cup to the off position and unplug at the wall.
- Never attempt to operate with damaged blades, or with utensils, or any foreign objects inside the blender jug.

IMPORTANT SAFEGUARDS FOR ALL ELECTRICAL APPLIANCES

- The appliance is for household use only. Do not use it in moving vehicles or boats, do not use it outdoors, and do not use it for anything other than its intended use. Misuse can cause injury.
- This appliance shall not be used by children. Keep the appliance and its cord out of reach of children.
- This appliance can be used by children 8 years of age and older and persons with the reduced physical, sensory and mental capabilities or lack of experience and knowledge if they have been given supervision or instruction concerning use of the appliance in a safe way and if they understand the hazards involved. Children must not play with the appliance. Cleaning and maintenance performed by the user must not be performed by children unless they are older than 8 years and under supervision.
- Children younger than 8 years of age must be kept away from the appliance and its power cord.
- Do not allow the cord to hang over the edge of a table or bench, touch hot surfaces or become knotted.
- To protect against electric shock, do not immerse the cord, plug or motor base in water or any other liquid.
- The installation of a residual current device (safety switch) is recommended to provide additional safety protection when using electrical appliances. It is advisable that a safety switch with a rated residual operating current not exceeding 30mA be installed in the electrical circuit supplying the appliance. See your electrician for professional advice.
- In order to avoid the possible hazard of the blender starting by itself due to inadvertent

- resetting of the overload protector on the motor, do not attach an external switching device (such as a timer) or connect the blender to a circuit that can regularly switch the blender on and off.
- Do not operate the blender with a damaged cord or plug, or after appliance malfunctions, or if dropped or damaged in any way. Stop use immediately and contact Catler customer service by phone or email for replacement or repair.
- Any maintenance other than cleaning should be performed at an authorized service center.
- It is recommended to regularly inspect the appliance. Do not use the appliance if the power supply cord, plug or appliance becomes damaged in any way. Return the entire appliance to the nearest authorized service center for examination and/or repair.

WARNING:
DO NOT OPERATE THE APPLIANCE ON AN INCLINED SURFACE. DO NOT MOVE THE APPLIANCE WHILE IT IS SWITCHED ON.



WARNING:
THE POWER PLUG WHEN PLUGGED MUST REMAIN ACCESSIBLE FOR EASY REMOVING.



WARNING:
HOUSEHOLD USE ONLY.
DO NOT IMMERSE TO ANY LIQUID.
FULLY UNWIND THE POWER CORD BEFORE THE USE.

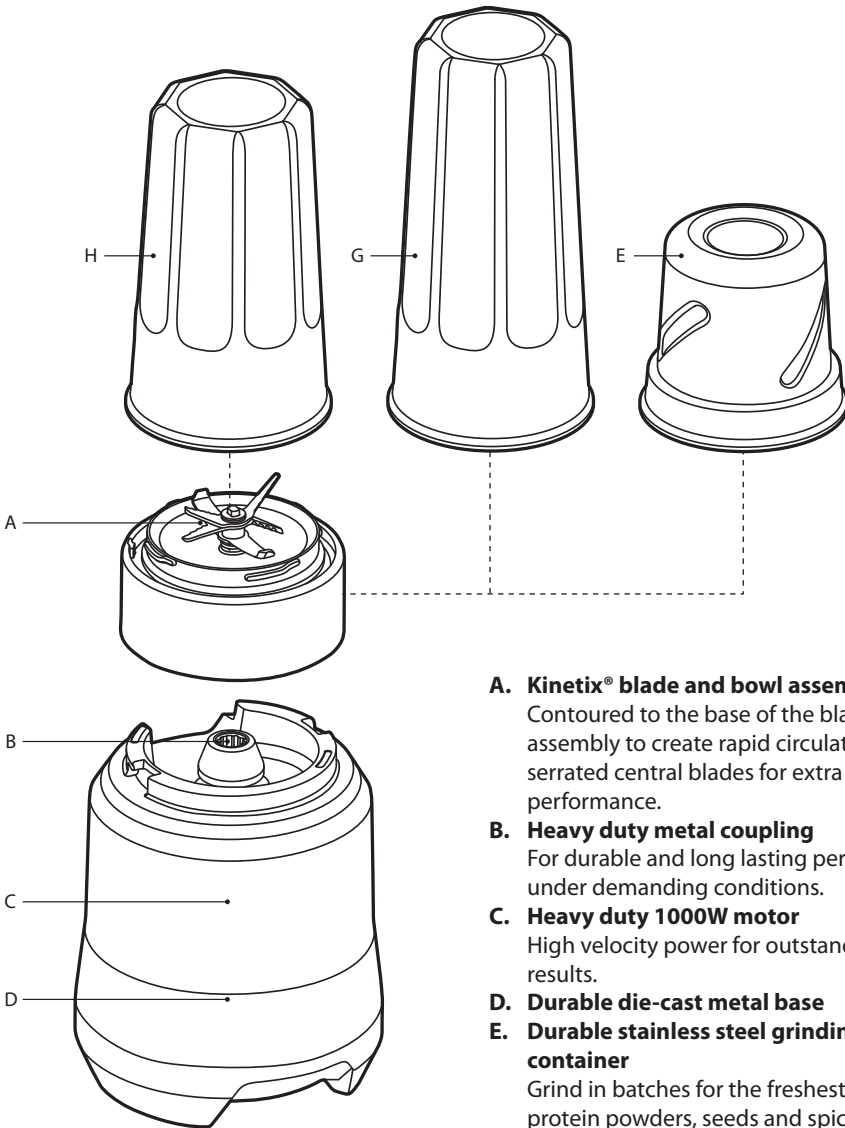


WARNING:
NEVER ATTACH THE BLADE ASSEMBLY ONTO THE MOTOR BASE WITHOUT HAVING ATTACHED THE CUP FIRST!



SAVE THESE INSTRUCTIONS

KNOW YOUR SMOOTHIE BLENDER PB 4050



A. Kinetix® blade and bowl assembly

Contoured to the base of the blade assembly to create rapid circulation, with serrated central blades for extra cutting performance.

B. Heavy duty metal coupling

For durable and long lasting performance under demanding conditions.

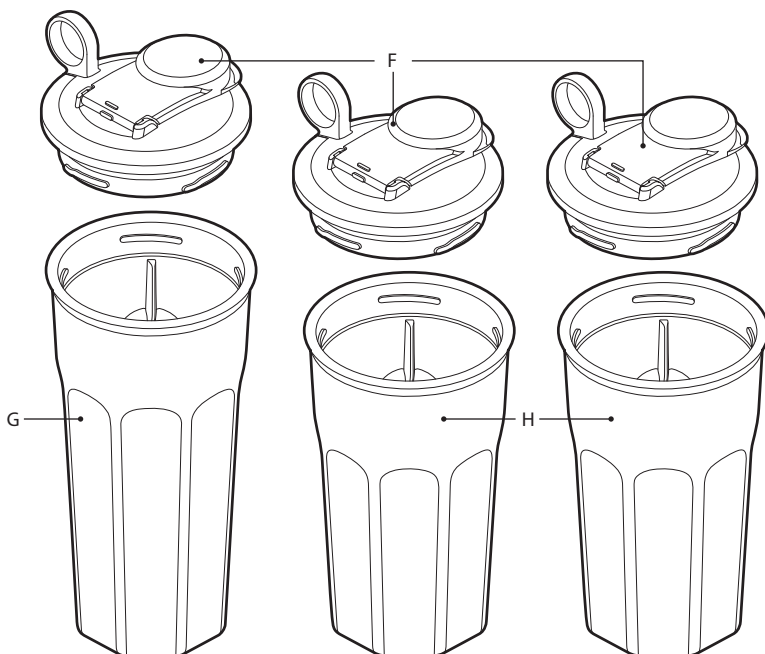
C. Heavy duty 1000W motor

High velocity power for outstanding results.

D. Durable die-cast metal base

E. Durable stainless steel grinding container

Grind in batches for the freshest nuts, protein powders, seeds and spices.



F. Portable lids

3 handy lids to take your smoothie on the go.

G. 1 Mega 700ml Tritan® Tumbler

For mega sized smoothies. Impact resistant, shatter proof and dishwasher safe.

H. 2 Large 500ml Tritan® Tumblers

One for you, one for me. Impact resistant, shatter proof and dishwasher safe.

EASTMAN TRITAN™ COPOLYESTER

The tumbler cups are made with Eastman Tritan™ copolyester, which is a tough, BPA-free polymer used to make housewares products that can stand up to extreme use and repeated dishwasher cleaning. Products made from Tritan™ are impact resistant and shatter resistant and stay clear and durable even after hundreds of cycles in the dishwasher.

OPERATING YOUR SMOOTHIE BLENDER PB 4050

BEFORE FIRST USE

Before using your extractor for the first time, remove any packaging material and promotional labels.

Be careful when handling the blades as they are extremely sharp.

Wash the tumblers, lids, blade assembly and attachments in warm soapy water with a soft cloth. Rinse and dry thoroughly. All parts (except motor base) may be washed in the dishwasher, on the top shelf.

When first using your blender, you may notice an odour coming from the motor. This is normal and will dissipate with use.

ASSEMBLY

1. Place a tumbler, bottom down, on the desk and add the ingredients into the tumbler, mind the MAX line.
2. Hold the tumbler by one hand and using the second hand put the blade assembly onto it so as the cut-off on the blades would be placed between 2 cut-offs of the tumbler.
3. Now turn the blade assembly clockwise so that the tumbler cut-offs would fit into grooves of the blades.
4. Ensure the tumbler is fitted correctly on the blade assembly and when turning upside down, it does not spill.
5. Place the tumbler with attached blade assembly onto the motor base so as the ▼ symbol on the blade assembly would be lined with the ▲ on the motor unit.

OPERATING

6. Turning the tumbler towards "LIQUIFY", the blend will start.
7. When the desired consistency is reached, turn the tumbler back to ▲ symbol. The motor will automatically stop. Wait a few seconds till the blade assembly fully stops before detaching the tumbler from the motor base. Unplug from the power outlet.



WARNING

Do not blend ingredients continuously for more than 60 seconds. Allow the motor to rest for 2 minutes before continuing.



WARNING

The blender will not start if the tumbler and blade assembly are not correctly assembled. The blend is provided by a safety feature that will not allow the motor to switch on if the blender is not correctly assembled or only the blade assembly is attached.

DISASSEMBLE

8. Once the blades are completely stopped, remove the tumbler with attached blade assembly from the motor base.
9. Place the tumbler on the desk, blade assembly facing up.
10. Hold the tumbler with one hand and using the second hand, carefully turn the blade assembly anti-clockwise not to spill smoothie in the tumbler.
11. Now you can enjoy your smoothie directly from the tumbler or attach a lid and you can take your smoothie wherever you go.



WARNING

Do not process hot liquids. Allow liquids to cool down before pouring into the tumbler.



WARNING

Wait until the blade assembly stops before removing the tumbler. Always ensure the blade assembly is properly attached onto the tumbler.

HINTS AND TIPS

OVERLOAD PROTECTION SYSTEM

The blender is equipped with an internal self resetting overload protector to protect the motor from damage under heavy or continuous loads. If the extractor suddenly stops during use, this protector may have tripped.

Remove the cup, unplug and leave it to cool for at least 30 minutes. Do not replace the cup assembly while cooling as the protector may reset causing it to start unexpectedly. Tripping the protector indicates that the extractor is being loaded too heavily, or with excessive continuous use. Reduce the amount of ingredients used or allow more time in between blending to prevent it from happening again, which will help preserve the life of the motor.

The MAX line is usually a good indicator to prevent overly heavy loading, however some especially dense combinations of ingredients may still strain the motor. If the motor seems to be straining or running slowly, only operate for 10 seconds at a time, or reduce the amount of ingredients used. Adding more liquid can also help to loosen dense mixtures.

Note that none of the recipes in the recipe book provided with this product are considered a heavy load.

- Never blend hot (or even warm) ingredients. The blades form a seal with the cups, and there is no venting for steam to be released.
- We recommend not blending longer than the recommend times in the recipes provided with this product, or no more than 1 minute at a time. Ingredients in the cup may become warm and cause internal pressure on the seals making it difficult to open or splatter ingredients when opened. Allow to cool and take care when opening.
- Always add liquids for optimum blending (except the grinding attachment, which must be used dry). If the blending action is not causing the ingredients to circulate, try adding more liquid.
- If the results are lumpy, try reducing the ingredients, or blending in batches.
- Run the extractor only for the appropriate amount of time required – do not over blend ingredients.
- If foods are thick, use a pulsing action by twisting the cup to engage and disengage the motor as needed. This will help ingredients circulate.
- Do not exceed the maximum mark when adding foods and liquids into the cup.
- To stop blending at any time, rotate the cup anti-clockwise to disengage the motor.
- The maximum amount of ice cubes the extractor can process is 4 from a standard ice tray. This also applies to frozen fruit. Cut fruit into pieces of a similar size to an ice cube before freezing.
- For even grinding do not process more than 1/3 – 1/2 cup at a time in the grinding cup.
- When grinding nuts, it is recommended to only process to a meal consistency. The grinding attachment is not suitable to make nut butters.

CARE AND CLEANING

MAKE SURE THE APPLIANCE IS SWITCHED OFF AND UNPLUGGED FROM THE POWER OUTLET, MOTOR AND BLADES HAVE COMPLETELY STOPPED BEFORE ATTEMPTING TO MOVE THE APPLIANCE, OR WHEN THE BLENDER IS NOT IN USE AND BEFORE DISASSEMBLING, CLEANING AND STORING.

Tumbler cups and lids

To keep your cups and lids clean, avoid allowing food residue to dry on them. Follow these steps as soon as possible after use:

- Rinse most of the residue off the blades, cup and lid.
- Hand wash in warm, soapy water using a mild liquid detergent and non-abrasive sponge.

Motor base

To clean the motor base, wipe with a soft, damp cloth then dry thoroughly. Wipe any excess food particles from the power cord.

Cleaning agents

Do not use abrasive scouring pads or cleansers on either the motor base or the cups, as they may scratch the surface. Use only warm soap water with a soft cloth.

Pressurisation

The cups may be rinsed by adding cold water, attaching blades, and either blending or shaking by hand for 10 seconds.

IMPORTANT: There is a risk of pressurisation from hot water and/or detergent. When rinsing by attaching blades and blending/shaking, never add hot or even warm water, as the steam produced can create dangerous pressurisation of steam.

Do not add detergent, as the foam produced will expand and may cause pressurisation.

Dishwasher

The cups, lids and blade assembly may be washed in the dishwasher on the top shelf only.

Stubborn food stains and odours

Strong smelling foods such as cumin and coriander, and some vegetables such as carrots may leave an odour or stain the blades, cup or lid.

To remove, pour warm soapy water and fill to the MAX mark. Set aside to soak for 5 minutes. Then wash with a mild detergent and warm water, rinse well and dry thoroughly. Store cups with lids off.

Citrus

Exposure to citrus oil may affect the clarity and longevity of the Tritan cups. After washing in detergent, rinse with plain water thoroughly, and allow to dry immediately. Do not soak if citrus has been blended.

Storage

Store upright with the cups and blades assembled and resting on the motor base, or beside it. The ▼ symbol on the blade assembly must be lined with the ▲ symbol on the motor unit, i.e. freely placed on the motor unit, as this means the motor is engaged and will turn on immediately when plugged in or switched on at the wall. In no case the ▼ symbol should be lined with „LIQUIFY“.



WARNING

The blades are very sharp. Pay higher attention when handling. Keep the blender away from children.

TROUBLE-SHOOTING GUIDE

PROBLEM	WHAT TO DO
Motor doesn't start or blade doesn't rotate.	• Check that the power plug is properly inserted into the power outlet.
	• Overload Protection System may have operated (see below).
Blender stopped suddenly while in use.	• This extractor has overload protection to prevent damage to the motor, which may have operated. Unplug, remove the cup and allow the motor to cool down for 30 minutes. Once cooled, you will be able to use as usual again.
	• We recommend blending in smaller batches, or cutting ingredients into smaller pieces. See Overload Protection System section for detailed information.
Food is lumpy or unevenly blended.	• This can happen when too much food is being blended at one time. Try a smaller amount, and work in batches if necessary.
	• The ingredients may be too large. Try cutting into smaller pieces. For best results, ingredients should be in pieces no larger than 2cm.
Food sticks to blade and cup.	• The mixture may be too thick. Try adding more liquid and/or pulsing the blender.

INSTRUCTIONS AND INFORMATION REGARDING THE DISPOSAL OF USED PACKAGING MATERIALS

Dispose of packaging material at a public waste disposal site.

DISPOSAL OF USED ELECTRICAL AND ELECTRONIC APPLIANCES



The meaning of the symbol on the product, its accessory or packaging indicates that this product shall not be treated as household waste. Please, dispose of this product at your applicable collection point for the recycling of electrical & electronic equipment waste. Alternatively in some states of the European Union or other European states you may return your products to your local retailer when buying an equivalent new product. The correct disposal of this product will help save valuable natural resources and help in preventing the potential negative impact on the environment and human health, which could be caused as a result of improper liquidation of waste. Please ask your local authorities or the nearest waste collection centre for further details. The improper disposal of this type of waste may fall subject to national regulations for fines.

For business entities in the European Union

If you wish to dispose of an electrical or electronic device, request the necessary information from your seller or supplier.

Disposal in other countries outside the European Union

If you wish to dispose of this product, request the necessary information about the correct disposal method from local government departments or from your seller.



This product meets all the basic EU regulation requirements that relate to it.

Changes to the text, design and technical specifications may occur without prior notice and we reserve the right to make these changes.

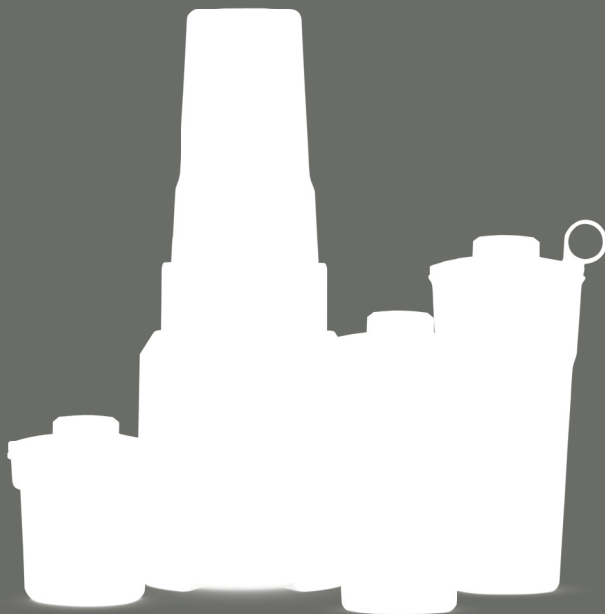
The original version is in the Czech language.

Address of the manufacturer: FAST ČR, a.s., Černokostecká 1621, Říčany CZ-251 01



THE BOSS TO GO™ PLUS

Due to continued product improvement, the products illustrated/photographed in this brochure may vary slightly from the actual product.



W W W . C A T L E R . E U

CUSTOMER SERVICE

I N F O @ C A T L E R . E U